

| | |
|---------------|--|
| Project Name | |
| Catalog #: | |
| Fixture Type: | |
| Notes: | |

FD SERIES FLOOD LIGHTS

Features

- Rugged aluminum housing with UV resistant powder coat finish offers outstanding corrosion protection.
- Lumen output 1500-5400lm with efficacy to 120lm/W
- Three installation for option: 1/2" knuckle mount or trunnion or wall mount
- Wide Flood beam spread 7H x 7V
- Long life LEDs lasting up to 50,000hours
- Fixtures are suitable for use in ambient from -40°C to 45 °C (-40 F ~ 113 F).
- UL wet location listed and DLC qualified



Size: 15W



Size: 30W



Size: 45W



PERFORMANCE DATA

| | | | 4000K(70CRI) | | 5000K(70CRI) | |
|--------------|----------|-----------|--------------|----------|--------------|----------|
| SYSTEM WATTS | VOLTAGE | DIST.TYPE | LUMENS | LPW | LUMENS | LPW |
| 15W | 120-277V | 7Hx7V | 1500lm | 100 lm/W | 1500lm | 100 lm/W |
| 30W | 120-277V | 7Hx7V | 3000lm | 100 lm/W | 3000lm | 100 lm/W |
| 45W | 120-277V | 7Hx7V | 5400lm | 120 lm/W | 5400lm | 120 lm/W |

ORDERING GUIDE

Example:FD15W27V50KBDB77KN

| Fixture Type | Wattage | Voltage | CCT | CRI | Finish | Beam Angle | Mounting | Internal Code |
|-----------------------|--|----------------------|--|----------------------|--|----------------------|---|-------------------------------------|
| <input type="text"/> | <input type="text"/> | <input type="text"/> | <input type="text"/> | <input type="text"/> | <input type="text"/> | <input type="text"/> | <input type="text"/> | <input type="text"/> |
| FD Flood Light | 15W 15W 30W 30W 45W 45W | 27V 120-277V | 30K 3000K 35K 3500K 40K 4000K 50K 5000K | B 70CRI | D Dark Bronze B Black W White | B77 7Hx7V | KN Knuckle Mount TR Trunnion Mount | Blank Alphanumeric |

***SEE NEXT PAGE FOR MORE SPECIFICATIONS

| | |
|----------------------|--|
| Project Name | |
| Catalog #: | |
| Fixture Type: | |
| Notes: | |

MOUNTING

1/2" Knuckle Mount

Die-cast aluminum knuckle provides flexibility in mounting from a variety of areas.



Trunnion Mount

Die-cast aluminum trunnion is easily adapted to many surfaces and allows easy fixture aiming angles.



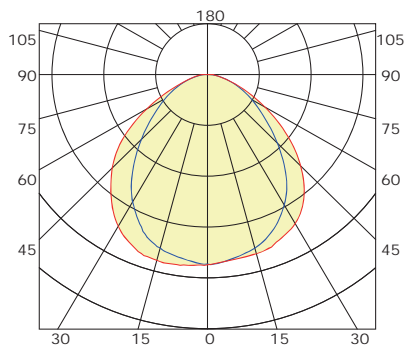
Wall Mount (30W & 45W)

Wall Mount is easy to install for direct wall mounting with 1/2" conduit wiring or standard J-box mounting

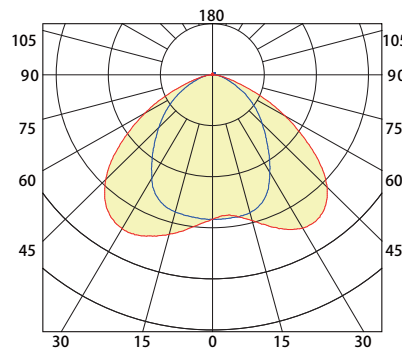


PHOTOMETRICS

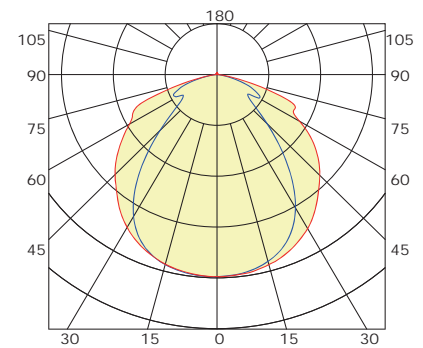
15W



30W



45W



DLC Model NO.

| SYSTEM WATTS | VOLTAGE | CCT | DLC NO. | DLC Classification |
|--------------|----------|-------|---|--------------------|
| 15W | 120-277V | 3000K | FD 15W27V30KB[D, B, W, SG]B77[KN, TR][Y, Blank] | Standard |
| | | 3500K | FD 15W27V35KB[D, B, W, SG]B77[KN, TR][Y, Blank] | Standard |
| | | 4000K | FD 15W27V40KB[D, B, W, SG]B77[KN, TR][Y, Blank] | Standard |
| | | 5000K | FD 15W27V50KB[D, B, W, SG]B77[KN, TR][Y, Blank] | Standard |
| 30W | 120-277V | 3000K | FD 30W27V30KB[D, B, W, SG]B77[KN, TR][Y, Blank] | Standard |
| | | 3500K | FD 30W27V35KB[D, B, W, SG]B77[KN, TR][Y, Blank] | Standard |
| | | 4000K | FD 30W27V40KB[D, B, W, SG]B77[KN, TR][Y, Blank] | Standard |
| | | 5000K | FD 30W27V50KB[D, B, W, SG]B77[KN, TR][Y, Blank] | Standard |
| 45W | 120-277V | 3000K | FD 45W27V30KB[D, B, W, SG]B77[KN, TR][Y, Blank] | Standard |
| | | 3500K | FD 45W27V35KB[D, B, W, SG]B77[KN, TR][Y, Blank] | Standard |
| | | 4000K | FD 45W27V40KB[D, B, W, SG]B77[KN, TR][Y, Blank] | Standard |
| | | 5000K | FD 45W27V50KB[D, B, W, SG]B77[KN, TR][Y, Blank] | Standard |

***SEE NEXT PAGE FOR MORE SPECIFICATIONS



| | |
|---------------|--|
| Project Name | |
| Catalog #: | |
| Fixture Type: | |
| Notes: | |

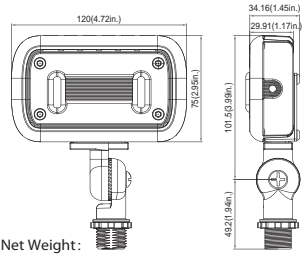
ELECTRICAL DATA

| Number Of Drivers | Driver Current (mA) | Nominal Power (W) | INPUT VOLTAGE (V) | CURRENT (Amps) |
|-------------------|---------------------|-------------------|-------------------|----------------|
| 1 | 250 | 15 | 120 | 0.13 |
| | | 15 | 208 | 0.07 |
| | | 15 | 240 | 0.06 |
| | | 15 | 277 | 0.05 |
| 1 | 430 | 30 | 120 | 0.25 |
| | | 30 | 208 | 0.14 |
| | | 30 | 240 | 0.13 |
| | | 30 | 277 | 0.11 |
| 1 | 1100 | 45 | 120 | 0.38 |
| | | 45 | 208 | 0.22 |
| | | 45 | 240 | 0.19 |
| | | 45 | 277 | 0.16 |

DIMENSIONS

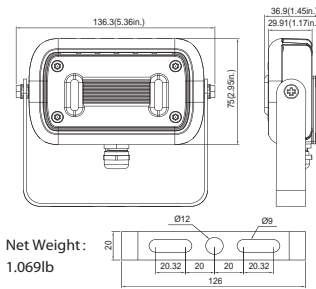
unit: mm/inch

15W(Knuckle Mount)



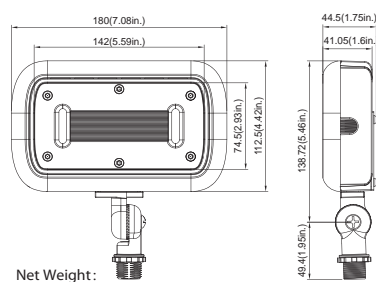
Net Weight:
0.939lb

15W(Trunnion Mount)



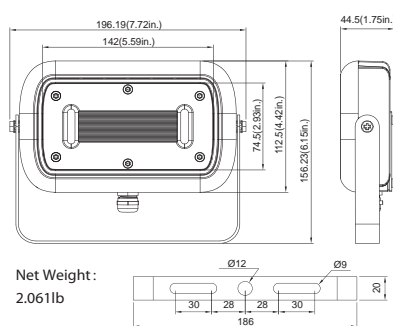
Net Weight:
1.069lb

30W(Knuckle Mount)



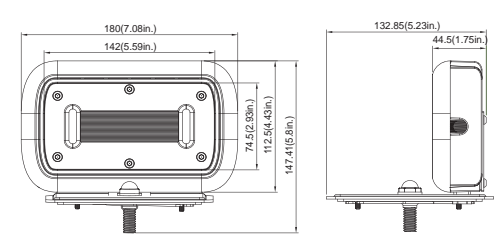
Net Weight:
1.887lb

30W(Trunnion Mount)



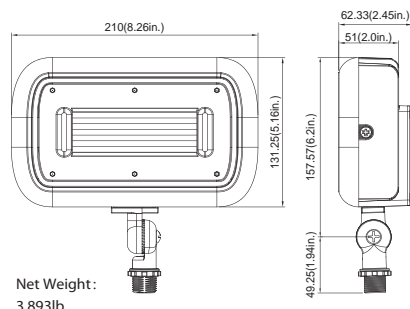
Net Weight:
2.061lb

30W(Wall Mount)



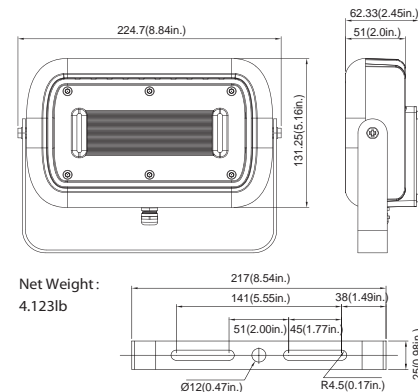
Net Weight:
2.911lb

45W(Knuckle Mount)



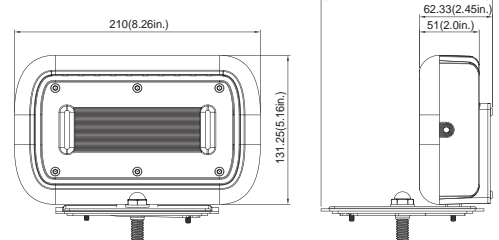
Net Weight:
3.893lb

45W(Trunnion Mount)



Net Weight:
4.123lb

45W(Wall Mount)



Net Weight:
4.519lb