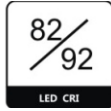


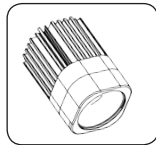


ION-K3023S

10W LED COB TRACK LIGHT



Project Name:	
Catalog #:	
Fixture Type:	
Notes:	



NEW PRODUCTS
COMING SOON

DESCRIPTION

Color Temperature 2700K-6000K
 CRI 82/92
 3 Step MacAdam (3 SDMC)
 Passive aluminum heat sink
 50,000 hrs average rated life

DIMMING

Track Dimming: (ELV) reverse phase control dimmers. 120V only.
 Dimmable 100 – 10%
 Canopy Dimming: ELV Dimming 120V
 0-10V Dimming 120V or 277V

DRIVER

Track luminaire is designed for use with the following track systems
 - Single Circuit/Single Neutral 120V
 - Two Circuit/Single Neutral 120V
 - Two Circuit / Two Neutral 120V
 - Two Circuit / Two Neutral 277V

OPTICS

16° Spot, 24° Narrow Flood, 32° Flood, 50° Wide Flood

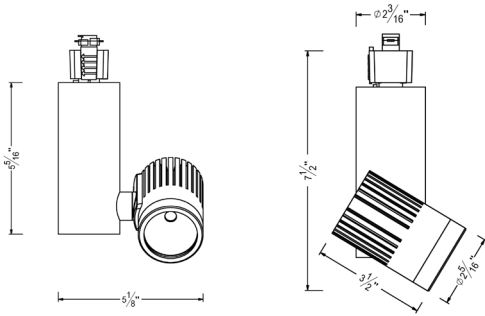
LISTING / WARRANTY

ETL listed to US and Canadian standards for damp location W/Feed through.
 5 Years Limited Warranty.

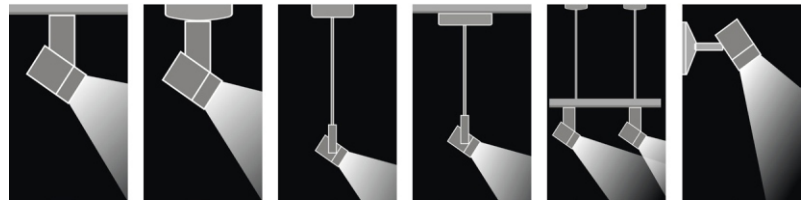


COB 10W = Halogen 50W

DIMENSIONS



AVAILABLE FOR MULTIPLE MOUNTING STYLES



- a - Track Mount
- b - Canopy Mount
- c - Canopy+Suspended Mount
- d - Track+Suspended Mount
- e - Canopy+Suspended+Track Mount
- f - Wall Mount

ORDERING GUIDE/OUR PRODUCT CODE



SERIES	BEAM SPREAD	POWER SUPPLY	CCT	LED AVAILABLE	FINISH
<input type="radio"/> K3023S 10W COB Track Light	<input type="radio"/> 16° Spot	<input type="radio"/> Non-Dimming 120V	<input type="radio"/> 2700K	<input type="radio"/> Philips	<input type="radio"/> White
	<input type="radio"/> 24° Narrow Flood	<input type="radio"/> Non-Dimming 277V	<input type="radio"/> 3000K	<input type="radio"/> Cree	<input type="radio"/> Black
	<input type="radio"/> 32° Flood	<input type="radio"/> 0-10V Dimming 120V	<input type="radio"/> 4000K	<input type="radio"/> Epistar	<input type="radio"/> Silver
	<input type="radio"/> 50° Wide Flood	<input type="radio"/> 0-10V Dimming 277V	<input type="radio"/> 5000K	<input type="radio"/> Seoul	<input type="radio"/> Satin Nickel
				<input type="radio"/> 6000K	<input type="radio"/> Osram

Customized Also Available